



It's a demanding business so demand the best with our Bridgemaster Mixer with increased capacity, a low mass forward design (LMFD) and more efficient mixing.

- McNeilus FLEX Controls provide better, more precise control with one of the most advanced systems in the industry
- Strategically positioned head impeller to provide a homogenous mix in dry batch applications (optional)
- Patented Bridgemaster tag axle is designed with your area's weight restrictions in mind while never compromising performance
- Extensive option catalog with lightweight, heavy-duty and operator assurance add-ons allows you to fully customize your mixer to meet your application's needs

Model Year Updates

- McNeilus FLEX Controls cable version (EP version optional)
- Improved fender design to increase durability and corrosion resistance, lightweight aluminum option available
- Simplified and enclosed chute lock design to protect components from debris
- Increased fin spiral rebar thickness to lengthen fin life
- Access hole added to front pedestal for easy maintenance
- Improved M80 Series Drum hydraulic hose routing

BODY

Body Capacity	11 cu yd
Discharge Opening	42 in
Drum Transmission	PMP PMB7.1
Head Thickness	1/4 in
Skin Thickness	3/16 in
Fin Thickness	3/16 in
Surge Fins	Bolted
Hatch	One, bolted

MAIN CHUTE

Length	5 ft
Chute Material	Steel

FOLD-OVER CHUTES AND EXTENSIONS

Lift	Hydraulic-driven
Lock	Air lock
Length	Transitional 30 in
Extension 1	4 ft
Extension 2	4 ft

WATER SYSTEM

Tank	Steel, 125 gallon
Water Valves	Standard ball valves

HYDRAULICS

Pump	Eaton 54 Series
Motor	Eaton 54 Series
Reservoir	Nylon
Reservoir Mounting	Inside of pedestal

CONTROLS

Drum Control Type	FLEX Controls Cable
Cab Configuration	Cable controls

FENDERS

Skin Material	Steel
Mud Flaps	White plastic

PAINT

Drum and components steel shot blasted prior to priming with high solids epoxy primer

Standard Finish: One color (white), Sikken's Autocoat BT LV650 Topcoat, a high performance, high solids polyurethane

LIGHTING

LED lights standard
3-bar light located on charge hopper

POPULAR OPTIONS

■ FLEX Controls	■ Split PTO cover
■ Washout System	■ 46 in. paver discharge opening
■ Aluminum water tank	■ ZF drum drive
■ Back up camera	■ Enviroguard washout
■ Lightweight chutes	■ Chute wash recovery system
■ Flip-up hopper	■ Rock buster or chute shutter
■ SAT hopper	■ Tow recovery hook
■ Head impeller (lined/unlined)	■ 1/4 steel to make up fin

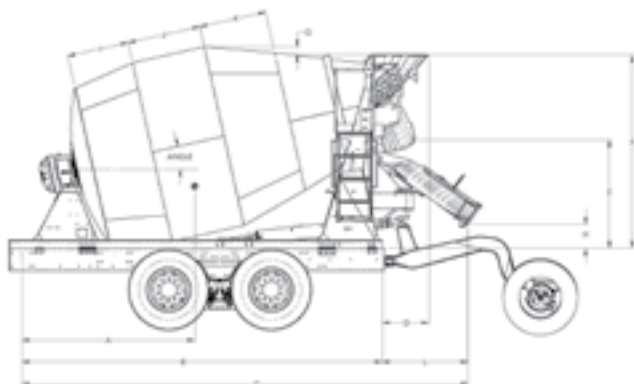
MCNEILUS WARRANTIES

Contact your McNeilus representative on warranty details. For more information, go to www.mcneiluscompanies.com

BRIDGEMASTER® MIXER WITH M80 SERIES DRUM

- Industry's best factory-direct service and support network, with mobile service trucks ready to answer your call
- McNeilus CNG (Compressed Natural Gas) systems available on a range of chassis choices and engine configurations
- Highest-quality abrasion-resistant steel in all high-wear areas for added strength and durability
- Proudly made in the USA

SIDE VIEW



SIZE		M80 APPROX. WT.		DRUM VOLUME		M80 DRUM ANGLE	
YD ³	M ³	Lbs	Kg	FT ³	M ³	42 in	46 in Paver ^o
10.0	7.65	10446	4748	449.81	12.74	13.1	14.1
10.5	8.03	10571	4805	473.79	13.42	12.5	13.5
11.0	8.41	10695	1861	496.79	14.07	12.1	13.1
11.5	8.79	10789	4904	521.51	14.77	11.6	12.5

M80 DRUM (42 IN. OPENING)

SIZE (YD)	A (IN)	B (IN)	C (IN)	D (IN)	E (IN)	F (IN)	G (IN)	H (IN)	I (IN)	J (IN)	K (IN)	L (IN)
10.0	88.3	183.5	229.3	25.3	50.7	101.9	3.1	12.5	32.3	32.8	35.5	45.8
10.5	90.7	189.3	235.1	25.3	50.6	101.9	3.8	12.5	32.3	38.6	35.5	45.8
11.0	93.5	194.9	240.7	25.3	50.5	101.9	4.4	12.5	32.3	44.1	35.5	45.8
11.5	95.3	200.8	246.6	25.3	50.5	101.9	5.1	12.5	32.3	49.9	35.5	45.8

M80 PAVER DRUM (46 IN. OPENING)

SIZE (YD)	A (IN)	B (IN)	C (IN)	D (IN)	E (IN)	F (IN)	G (IN)	H (IN)	I (IN)	J (IN)	K (IN)	L (IN)
10.0	87.5	181.6	227.4	23.5	50.7	105.9	0.2	12.5	32.3	32.8	35.5	45.8
10.5	89.9	187.3	233.1	23.5	50.6	105.9	1.0	12.5	32.3	38.6	35.5	45.8
11.0	92.6	192.9	238.7	23.5	50.5	105.9	1.7	12.5	32.3	44.1	35.5	45.8
11.5	94.4	198.8	244.6	23.5	50.5	105.9	2.3	12.5	32.3	49.9	35.5	45.8



We offer a complete line of parts and services for all makes and models.
View and purchase at www.StreetSmartParts.com or call 888.686.7278.

Learn more at www.mcneiluscompanies.com

© April 2017 McNeilus Truck & Manufacturing, Inc. McNeilus and the McNeilus logo are trademarks of McNeilus Truck & Manufacturing, Inc., Dodge Center, MN, USA. All other designated trademarks are the property of their respective owners. Specifications, descriptions and illustrations in this brochure are accurate as shown at the time of publication, but are subject to change without notice. Illustrations may include optional equipment and accessories and may not include all standard equipment.